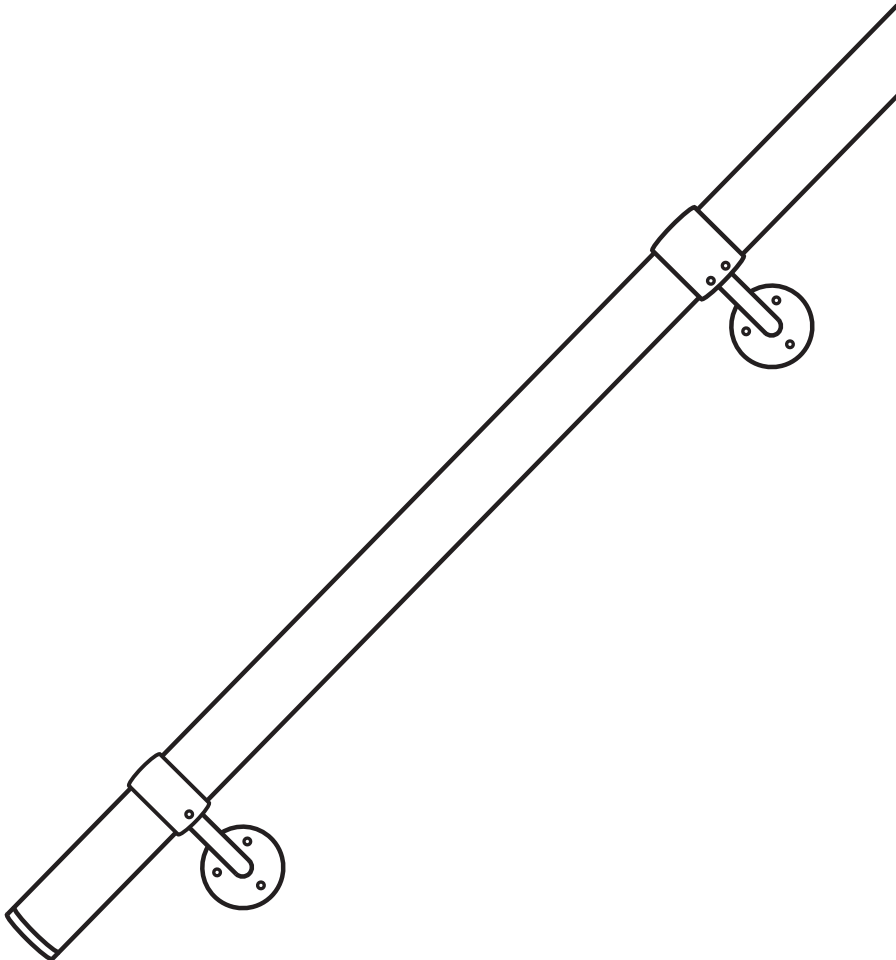


ROTHLEY

Instruction Guide

Handrail Kit

3.6m



@RothleyLtd



Accessorising your home

www.rottley.com

IMPORTANT INFORMATION

Before Installing please identify that you have all the kit parts as listed on page 3.

Rottley Handrail kits are designed for domestic use **ONLY**.

Rottley Handrail Kits are suitable for indoor use **ONLY**.

Before installing please check the wall surface is solid and in sound condition.

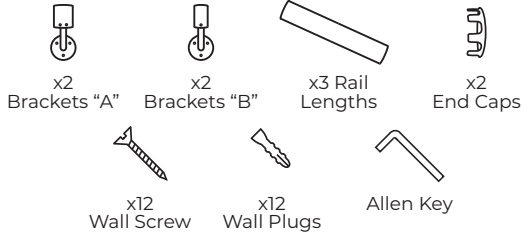
Wall Plugs included are for use in solid masonry walls **ONLY** and may not be suitable for your application. Please ensure you use the correct wall plugs suitable for your application.

Before drilling ensure there are **NO** pipes or cables located in the wall that could interfere with installation.

Handrail should **NOT** be fitted to plasterboard partitioning.

Kit Parts

Included



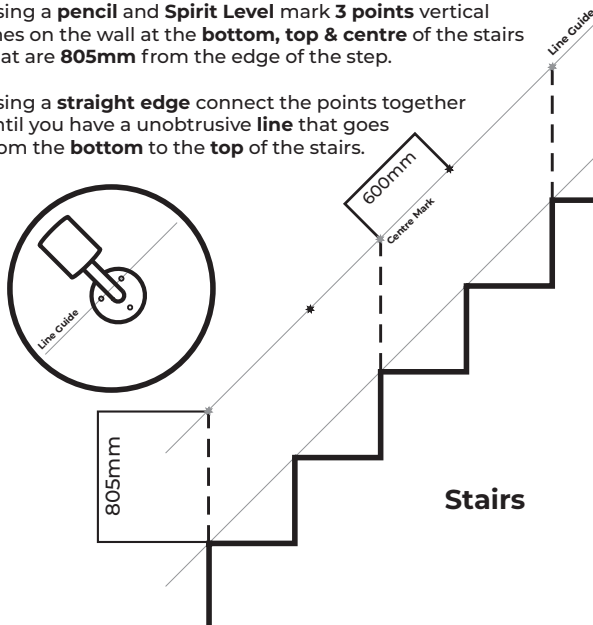
Required Extras



Step 1

Using a **pencil** and **Spirit Level** mark **3 points** vertical lines on the wall at the **bottom, top & centre** of the stairs that are **805mm** from the edge of the step.

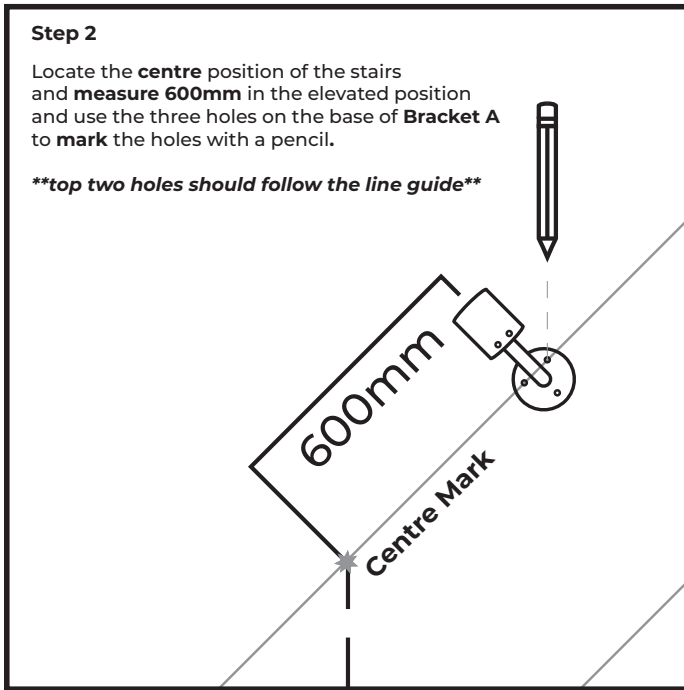
Using a **straight edge** connect the points together until you have a unobtrusive **line** that goes from the **bottom** to the **top** of the stairs.



Step 2

Locate the **centre** position of the stairs and **measure 600mm** in the elevated position and use the three holes on the base of **Bracket A** to **mark** the holes with a pencil.

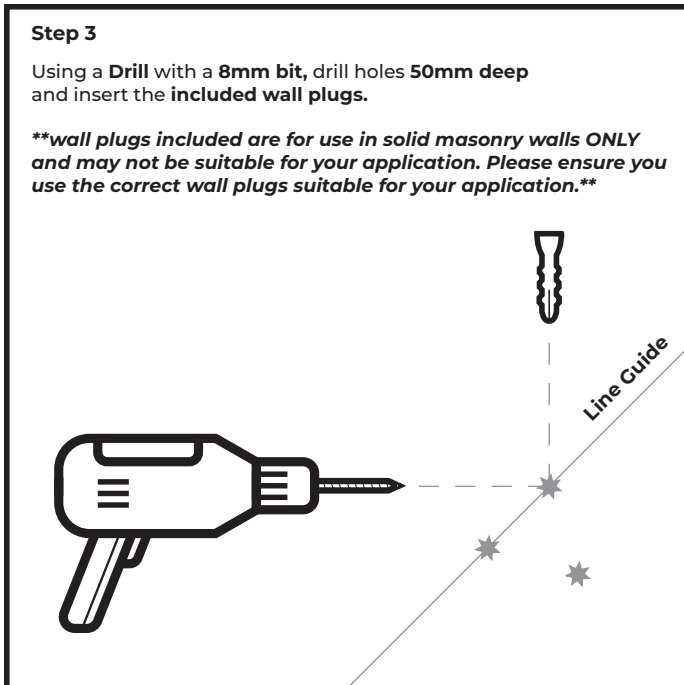
****top two holes should follow the line guide****



Step 3

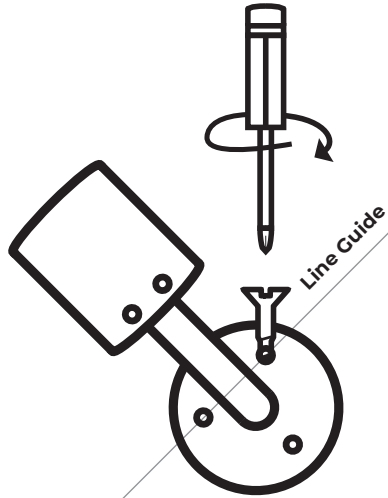
Using a **Drill** with a **8mm bit**, drill holes **50mm deep** and insert the **included wall plugs**.

****wall plugs included are for use in solid masonry walls ONLY and may not be suitable for your application. Please ensure you use the correct wall plugs suitable for your application.****



Step 4

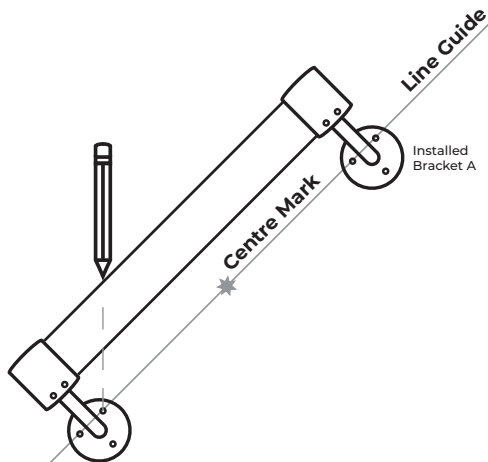
Now return **Bracket A** to the wall and insert the **50mm screws** checking they are tight.



Step 5

Place a length of **Handrail** into the installed **Bracket A** and another 2nd **Bracket A** onto the end of the **Rail**.

Align the top two holes on the **Bracket A** with the line guide and mark all three fixing holes on to the wall.

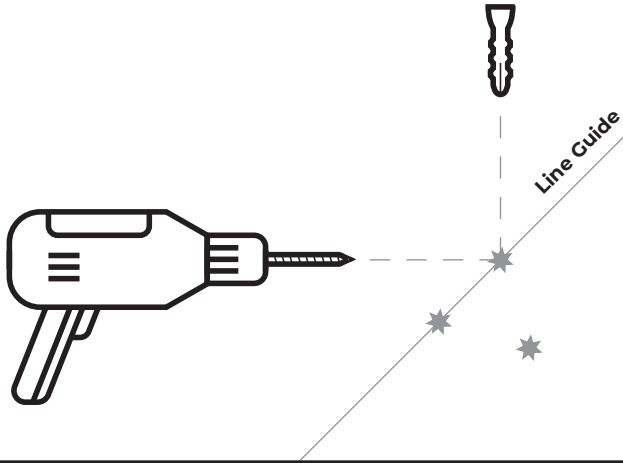


Step 6

Drill all three **8mm x 50mm** Deep holes into the wall and insert Wall Plugs included.

Re-insert the **Rail** and **Bracket A** onto the end of the **Rail** and screw **Bracket A** to the wall.

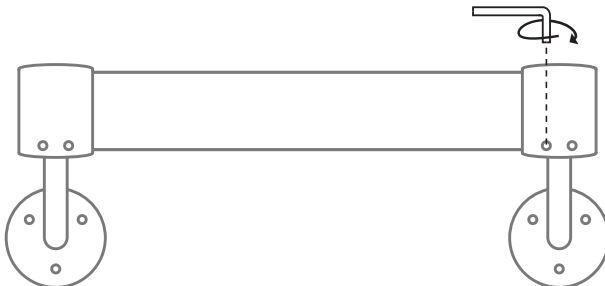
****Ensure screws are tight****



Step 7

Making sure the rail has 200mm either end of the hand rail use the included Allen key, tighten the pre installed **Grubscrew**. Repeat this on the other end of the rail to hold the rail in place.

****Ensure the Grubscrews are tight****

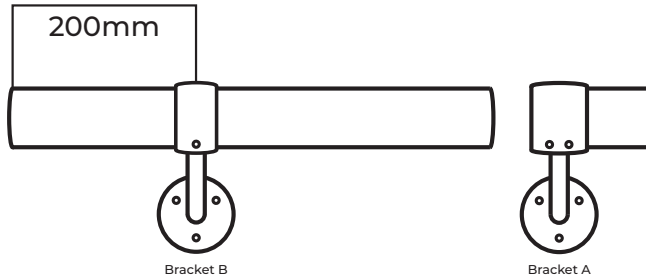


Step 8

Select another length of **Rail** and slide **Bracket B** onto the end of the **Rail** ensuring that **Bracket B** is **200mm** from the end as shown.

Using a Philips Screw Driver tighten the preinstalled Grub Screw.

****Ensuring the screws are tight****



Step 9

Place the length of **Handrail** into the installed **Bracket A**. Align the top two holes on **Bracket B** with the line guide and mark all three fixing holes.

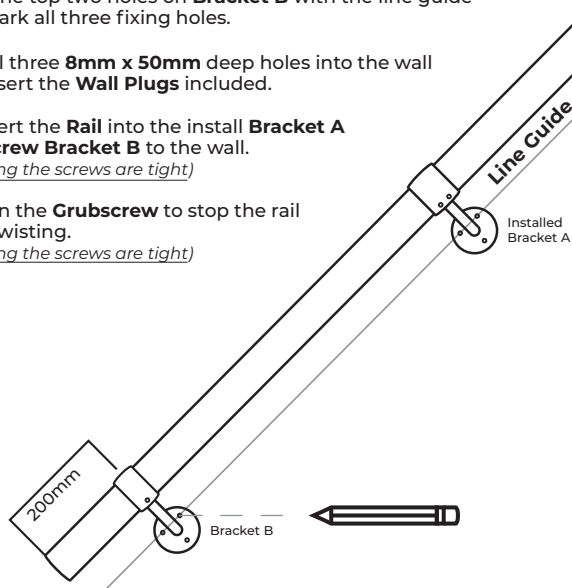
Drill all three **8mm x 50mm** deep holes into the wall and insert the **Wall Plugs** included.

Re-insert the **Rail** into the install **Bracket A** and **Screw Bracket B** to the wall.

(Ensuring the screws are tight)

Tighten the **Grubscrew** to stop the rail from twisting.

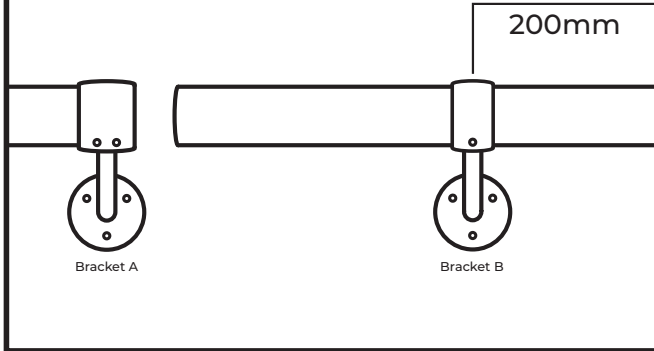
(Ensuring the screws are tight)



Step 10

Select another length of **Rail** and slide **Bracket B** onto the end of the **Rail** ensuring that **Bracket B** is **200mm** from the end as shown.

Using a Philips Screw Driver tighten the preinstalled Grub Screw.
****Ensuring the screws are tight****



Step 11

The **Handrail** should now look like this.
If not please re-read the instructions



To fit the **End Caps** push them on the the end of the rail
until they are fully inserted.

****Do this to both ends of the Handrail****

