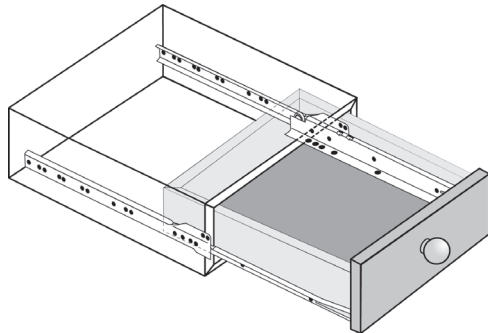




ROTHLEY



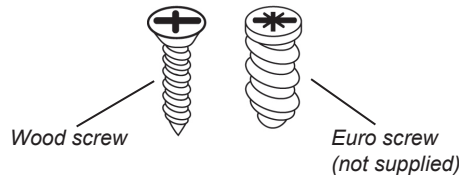
Bottom-Mount Drawer Slides

Before You Begin

- Read the instruction leaflet completely before starting.
- Make sure all parts are included.

Parts List

- Cabinet Members – (1) Left and (1) Right
- Drawer Members – (1) Left and (1) Right
- (12) #5 wood screws



Recommended Tools

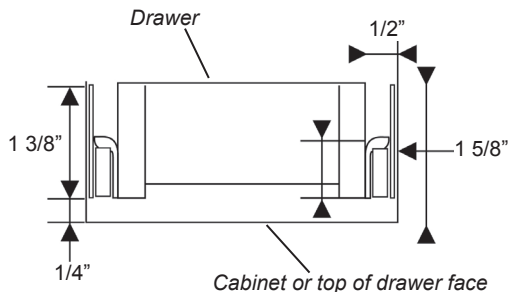
- Screwdriver
- Pencil or Scribe
- Tape measure or ruler
- Level

Data

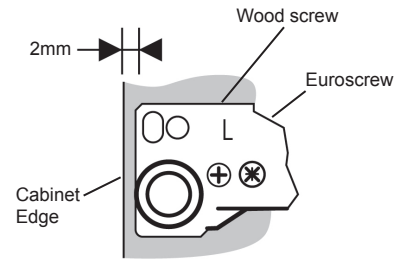
- 50lb (22kg) maximum holding capacity per pair
- Length of 14" – 24"
- Right side captive member (Holds drawer in place)
- Elongated screw holes for alignment

Specifications

- Both sides of drawer must have 1/2" (12.5mm) clearance.
- Bottom of drawer must have 1/4" (6.4mm) clearance.
- Top of drawer must have 5/8" (15.9mm) minimum clearance.
- Cabinet members are inset in 2mm (5/64") from the edge of the cabinet.
- Look at cabinet member for screw positioning.
- The holes that are slightly smaller are for wood screws. The larger holes are for Euro screws



FRAMELESS



ROTHLEY

Rothley Ltd.
Macrome Road, Wolverhampton
West Midlands WV6 8AY
www.rothley.com



1. Installing Cabinet Members to Cabinet

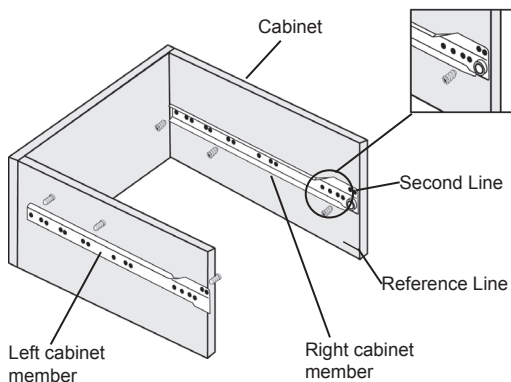
Cabinet members and drawer sockets are marked with an L (left) and R (right).

Frameless Mounting

Determine position of the bottom of the drawer front in relation to the front of the cabinet and draw a ref. line on both L & R inside face of cabinet. (Fig. 1 Frameless).

Next, go to step #2 and install slides to drawer members. After drawer members are mounted, fit loose cabinet members into drawer members. Measure from bottom of drawer front to centre of mounting hole on cabinet member. Transfer that measurement and draw a second line onto the L & R side of cabinet using the ref. line made in step #1. Align centre of mounting hole of cabinet member with the second line made and fasten with one screw.

Next, use a level to properly align and fasten remaining screw.



2. Installing Drawer Members to Drawer

Place drawer members onto bottom of drawer with rollers located in the rear. You can mount drawer members to drawer either from the side or bottom. Fasten with screws.

3. Final Steps

Insert Drawer into cabinet by placing drawer member rollers over cabinet member rollers. To remove drawer, pull to where it stops, then lift and pull out.

