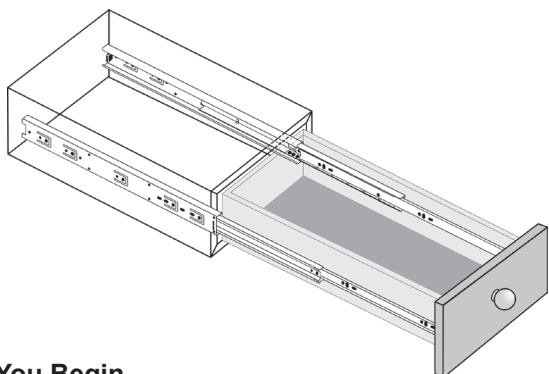


# ROTHLEY

## BALL-BEARING SIDE MOUNT DRAWER SLIDES

### INSTALLATION INSTRUCTIONS



#### Before You Begin

- Read the instruction leaflet completely before starting.
- Make sure all parts are included.

#### Parts List

- 2 Side-Mount Drawer Slides
- Screws

#### Recommended Tools

- Screwdriver
- Pencil or Scribe
- Tape measure or ruler
- Level

#### Data

- 100lb (45kg) maximum holding capacity per pair
- Length of 14" – 24"

#### Specifications

*Drawer or Pull-Out-Shelf (For TV, DVD & Stereo Equipment)*

Drawer pull-out shelf must be 1/2" (12.5mm) narrower than cabinet opening on each side. Top and Bottom of drawer or pull-out-shelf bottom should have 1/8" (3.2mm) minimum clearance from the cabinet opening.

#### 1. Installing Cabinet Members to Cabinet

Press release lever to disconnect drawer members. Using a level place and align cabinet member into position and place slide flush with the cabinet edge. Fasten each slide with M4 x 12mm flat head screws. You will need to move the slide member back and forth to access the screw holes. For supporting heavy objects use M4 x 12mm flat head screws and inserts to avoid tear out of side.

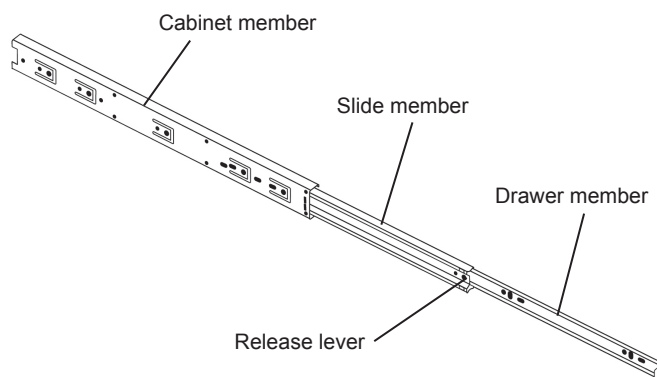
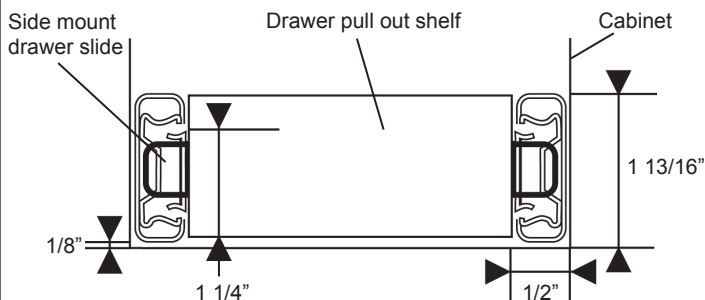
#### 2. Installing Drawer Members to Drawer or Pull-Out-Shelf

On drawer place and align drawer member into position. Place drawer member end flush with the drawer overlay. Fasten each drawer member with M4 x 12mm flat head wood screws.

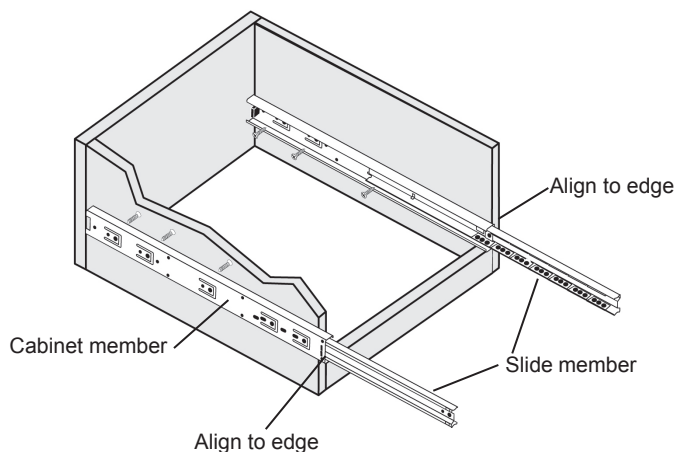
#### 3. Inserting Drawer

Insert drawer into cabinet and close. The drawer slide release lever will lock as drawer is closed. Make sure drawer aligns properly and rides smoothly on the side mount drawer slides.

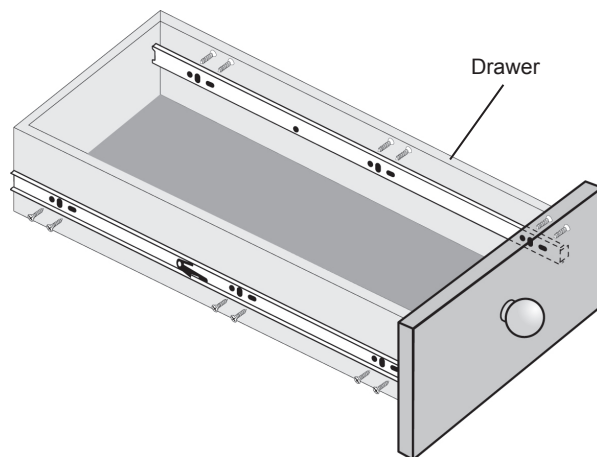
### SPECIFICATIONS



# 1



# 2



# ROTHLEY

Rothley Ltd

Macrome Road Wolverhampton WV6 9HG  
www.rothley.com