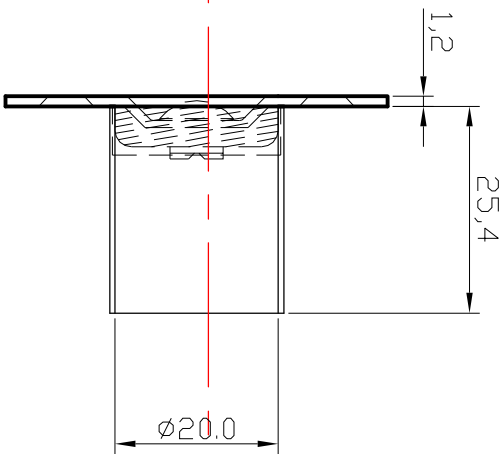
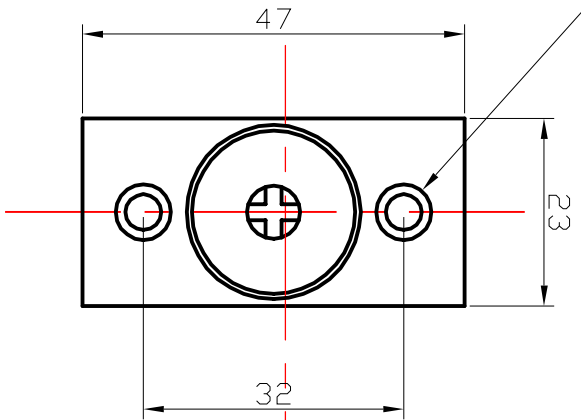


FINISH:  
CHROME PLATE.  
BRASS PLATE.

2 HOLES  $\varnothing 4.4\text{MM}$  C/SINK  
45° TD  $\varnothing 6.8\text{MM}$



ROTHLEY LTD.

TITLE:  $\varnothing 3/4$  STRAIGHT BRACKET (528A)

DRAWING No: RT165  
ISSUE LEVEL: 'B'